

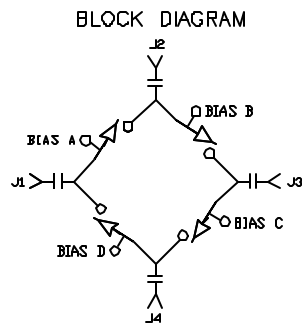
**DESCRIPTION:**

AMC MODEL SWN-2181-TRA OPTION 30M27 IS A TRANSFER SWITCH MODULE WITH LOW INSERTION LOSS, HIGH ISOLATION AND WITH INTEGRAL TTL DRIVER IN A SMALL 1.0" x 1.0" x 0.5" PACKAGE, DESIGNED FOR 0.03 GHz TO 27 GHz OPERATION.

**SPECIFICATIONS:**

- FREQUENCY:- . . . . . 30 MHz TO 27 GHz
- INSERTION LOSS:- . . . . . 6.5 dB MAX. @ 27 GHz
- ISOLATION:- . . . . . 30 MHz TO 27 GHz: 60 dB MINIMUM
- VSWR:- . . . . . IN/OUT: 2.2:1
- SPEED:- . . . . . RISE: 10ns TYPICAL, 15ns MAXIMUM  
FALL: 10ns TYPICAL, 15ns MAXIMUM  
DELAY ON: 75ns TYPICAL, 100ns MAXIMUM  
DELAY OFF: 75ns TYPICAL, 100ns MAXIMUM
- POWER INPUT:- . . . . . +20 dBm (STANDARD), +10 dBm (HIGH SPEED)
- SURVIVAL POWER:- . . . . . 75 WATTS CW, 10 WATTS PEAK 1  $\mu$ sec PULSE WIDTH
- POWER SUPPLY: - . . . . . +5V @ 100 mA MAXIMUM  
-15V @ 100 mA MAXIMUM
- CONTROL:- . . . . . SEE TABLE I
- SIZE: - . . . . . 1.00 (L) x 1.00 (W) x 0.50 (H)
- WEIGHT:- . . . . . 1.5 OUNCES TYPICAL

TTL LOGIC	LOW LOSS PATH	ISOLATED PATH
0	J1-J2 J3-J4	J1-J4 J2-J3
1	J1-J4 J2-J3	J1-J2 J3-J4



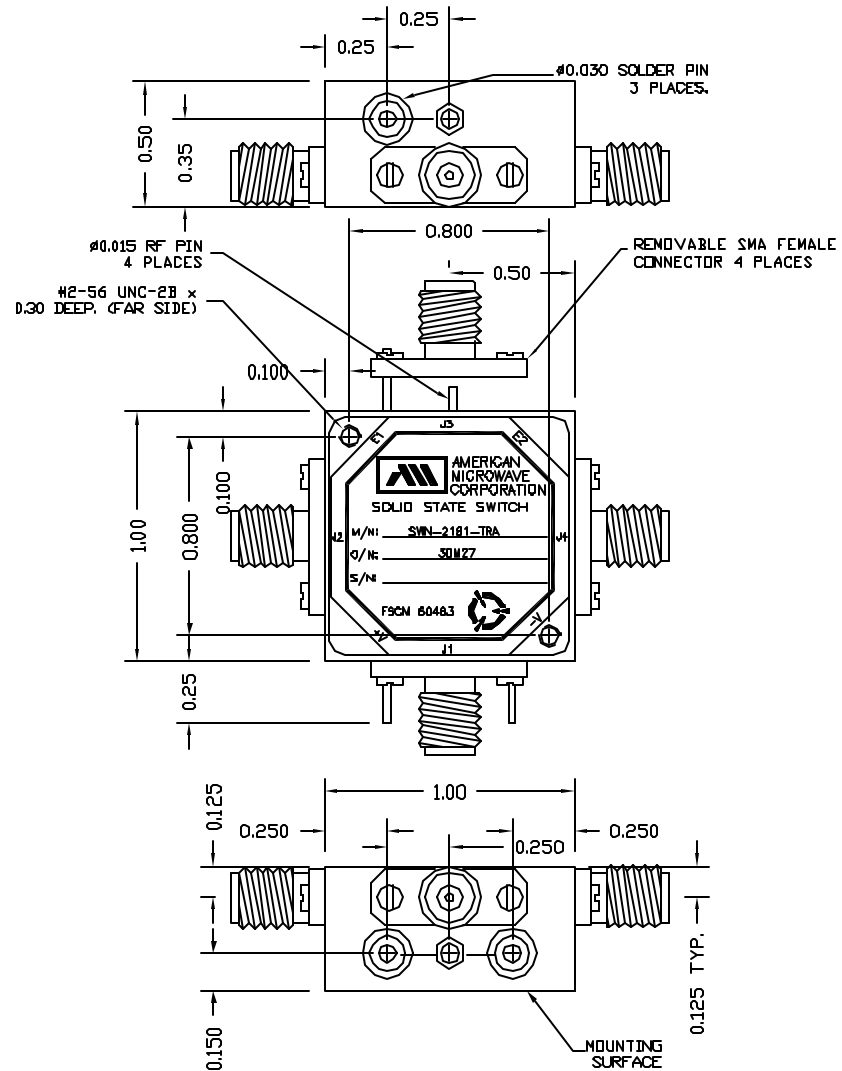
**ENVIRONMENTAL RATINGS:**

- TEMPERATURE: - . . . . . -55°C TO +85°C (OPERATING)  
-65°C TO +125°C (STORAGE)
- HUMIDITY: - . . . . . MIL-STD-202F, METHOD 103B COND. B
- SHOCK: - . . . . . MIL-STD-202F, METHOD 213B COND. B
- VIBRATION: - . . . . . MIL-STD-202F, METHOD 204D COND. B
- ALTITUDE: - . . . . . MIL-STD-202F, METHOD 105C COND. B
- TEMPERATURE CYCLE: - . . . . . MIL-STD-202F, METHOD 107D COND. A

ALL DIMENSIONS ARE IN INCHES  
TOLERANCES:  
X.XX ±0.020  
X.XXX ±0.010

NOTE THE ABOVE SPECIFICATIONS ARE SUBJECT TO CHANGE OR REVISION

REVISIONS				
ZONE	REV.	DESCRIPTION	DATE	APPROVED
-	-	ORIGINAL RELEASE	1/18/04	
JOB # 104070-5,6				



CONTRACT NO.		AMERICAN MICROWAVE CORPORATION FREDERICK, MARYLAND		
APPROVALS	DATE	TITLE		
DRAWN <i>[Signature]</i>	1/18/04	OUTLINE DRAWING SWN-2181-TRA OPTION 30M27 TRANSFER SWITCH		
CHECKED		SIZE	FSCM NO.	DWG NO.
ISSUED		A	60483	100-6896
		SCALE	N/S	SHEET 1 of 3